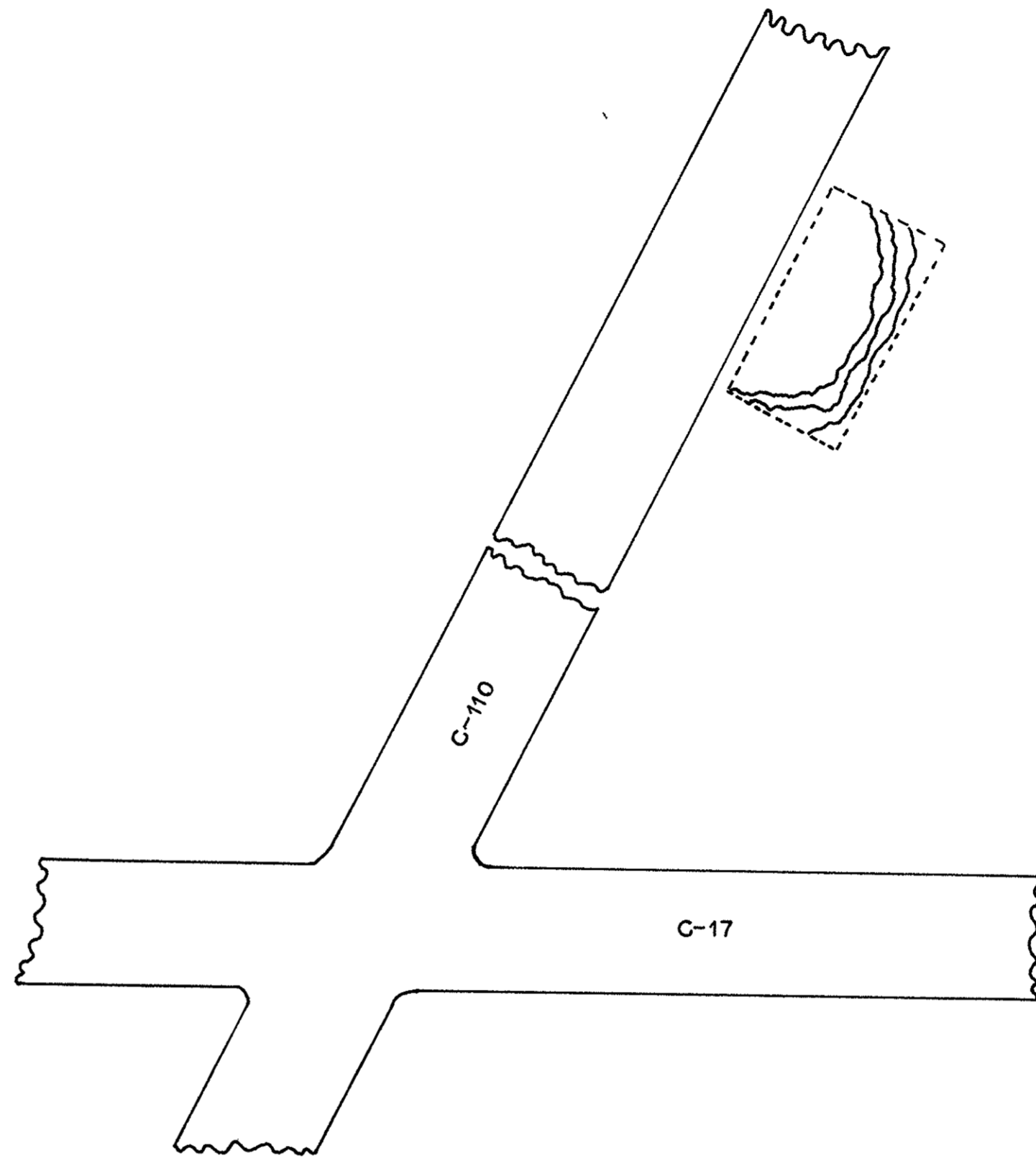


**CUMMINGS
CEMETERY**
FRANKLIN CO. PLEASANT TWP.
OFFICIAL PROJECT NO'S. 465-42-3-467 & 665-42-3-232

LEGEND	HISTORY
① REVOLUTIONARY WAR.	EST. 1-24-1859. BEING A PART OF ORIGINAL VIRGINIA.
⑩ WAR OF 1812.	MILITARY LAND GRANT
⑮ WAR WITH MEXICO.	TO JOHN GILMORE BY U S PRES. ANDREW JACKSON 7-1-1833
⑲ CIVIL WAR.	
⑳ SPANISH AM. WAR.	
⑳ WORLD WAR.	
SCALE	0.06 ACRE.

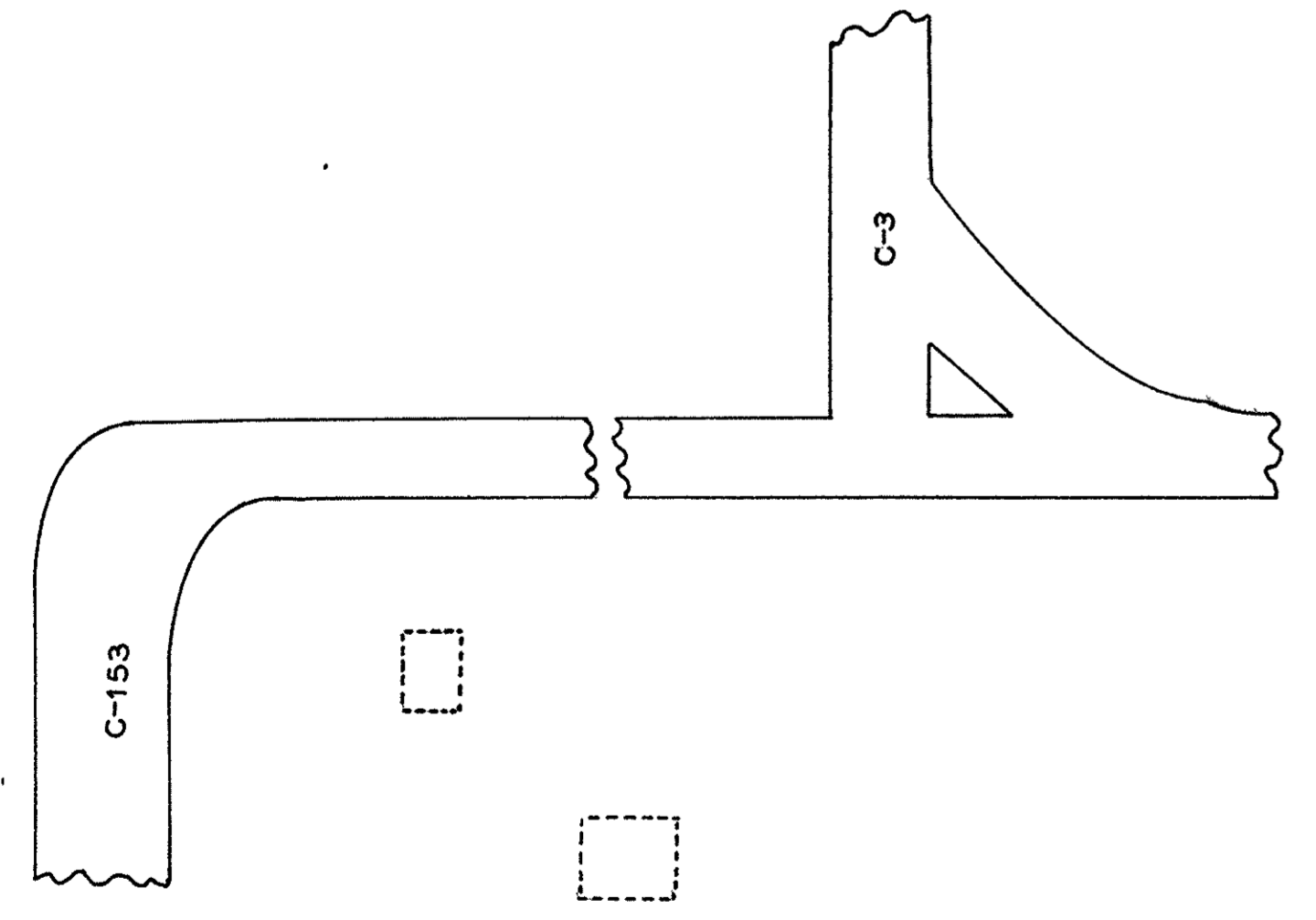
25-15-5



**PLAINTOWN
CEMETERY**
FRANKLIN CO. PLAIN TWP.
OFFICIAL PROJECT NO'S. 465-42-3-467 & 665-42-3-232

LEGEND	HISTORY
① REVOLUTIONARY WAR.	APPROX. EST. DATE 1852.
⑩ WAR OF 1812.	A PART OF THE U. S.
⑮ WAR WITH MEXICO.	MILITARY LAND PATENTED TO JAMES BRISBINE BY U S. PRESIDENT JAMES MONROE. 1818.
⑲ CIVIL WAR.	
⑳ SPANISH AM. WAR.	
⑳ WORLD WAR.	
SCALE 1"=60'	0.12 ACRE.

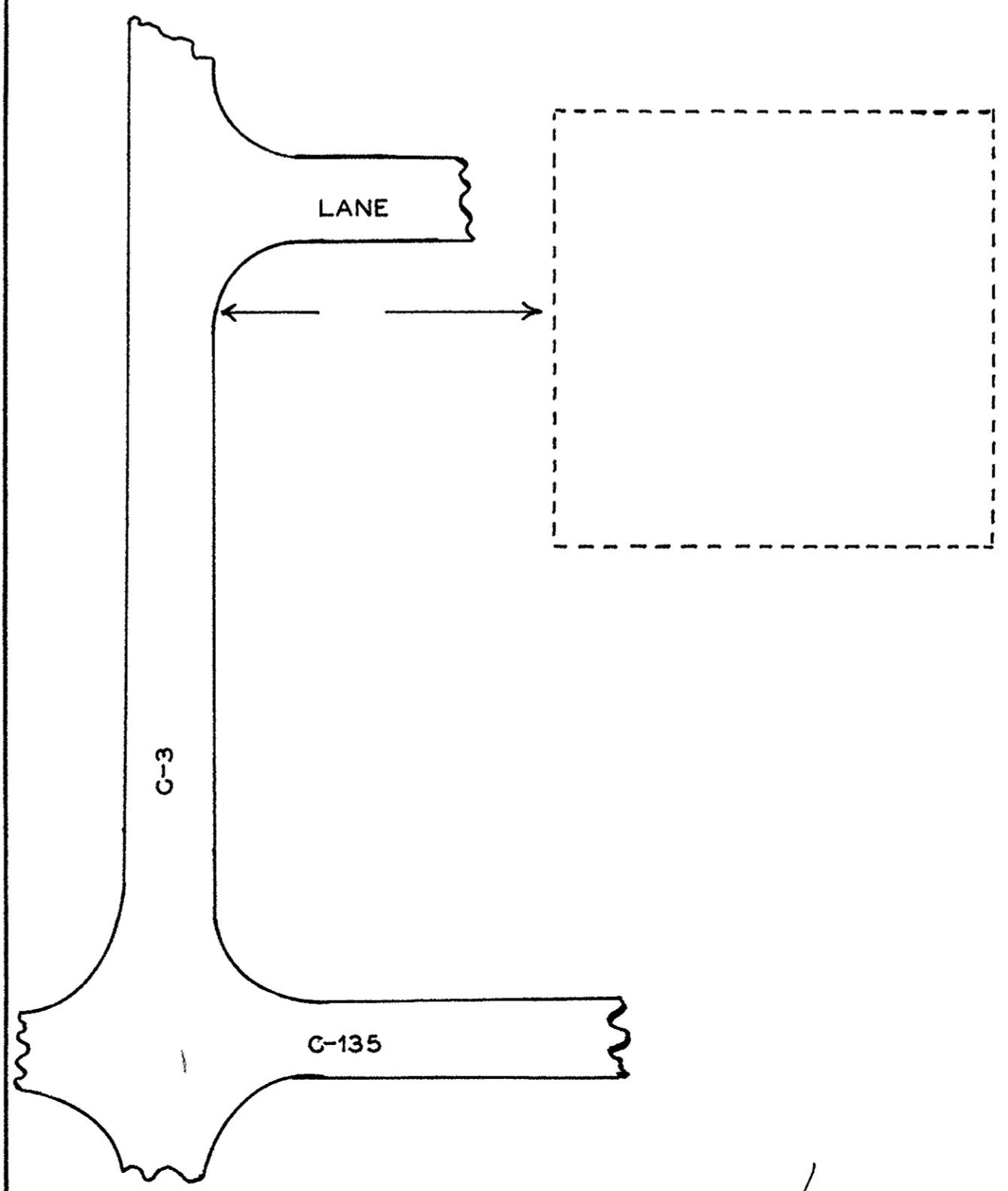
25-14-6



**HOLLAND
AND
MERCHANT & SAND
CEMETERIES**
FRANKLIN CO. NORWICH TWP.
OFFICIAL PROJECT NO'S. 465-42-3-467 & 665-42-3-232

LEGEND	HISTORY
① REVOLUTIONARY WAR.	HOLLAND-EST DATE NOT KNOWN. A PART OF VA. MILITARY LAND SURVEYED TO SEYMOUR POWELL IN 1798.
⑩ WAR OF 1812.	
⑮ WAR WITH MEXICO.	-MERCHANT & SAND-APPROX. EST. DATE 1875. PART OF THE VA MIL. LAND PAT'D. TO JOHN WHORTER BY U. S. PRES MADISON IN 1812.
⑲ CIVIL WAR.	
⑳ SPANISH AM. WAR.	
⑳ WORLD WAR.	
NOT TO SCALE	.001 1/2 ACRE-EACH.

25-12-11



**J. WAHL FARM
CEMETERY**
FRANKLIN CO. PLEASANT TWP.
OFFICIAL PROJECT NO'S. 465-42-3-467 & 665-42-3-232

LEGEND	HISTORY
① REVOLUTIONARY WAR.	APPROX. EST DATE. 1863.
⑩ WAR OF 1812.	A PART OF THE VIRGINIA MILITARY LAND PAT.
⑮ WAR WITH MEXICO.	TO GEORGE EVANS. 1801.
⑲ CIVIL WAR.	
⑳ SPANISH AM. WAR.	CONVEYED TO J. BEVINS IN 1817
⑳ WORLD WAR.	
SCALE	0.083 ACRE.

25-15-4